

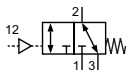
## Technical details

<b>Connection</b>	G1/8
<b>Nominal size</b>	6 mm
<b>Temperature range</b>	-10°C ... +70°C
<b>Medium</b>	Filtered, oil-free and dried compressed air according to ISO 8573-1:2010, Class 7:2:4, instrument air, free of aggressive additives. Differing the pressure dew point must be at least 10°C below lowest occurring ambient temperature.
<b>Materials</b>	Body: Al (anodized), seals: NBR and POM, inner parts: Al, brass, stainless steel
	Valves in accordance with 2014/34/EU (ATEX) available. (Chapter 13)

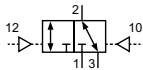


Pneumatically operated spool valve. The valve switches upon pressurization of the pilot port.

## 3/2-way valves

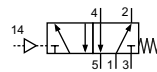


L-28-311  
3/2-way, single pilot, mechanical spring return

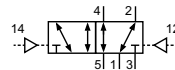


L-28-320  
3/2-way, double pilot

## 5/2-way valves



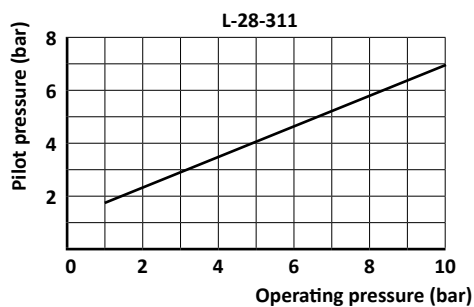
L-28-511  
5/2-way, single pilot, mechanical spring return



L-28-520  
5/2-way, double pilot

## Technical data

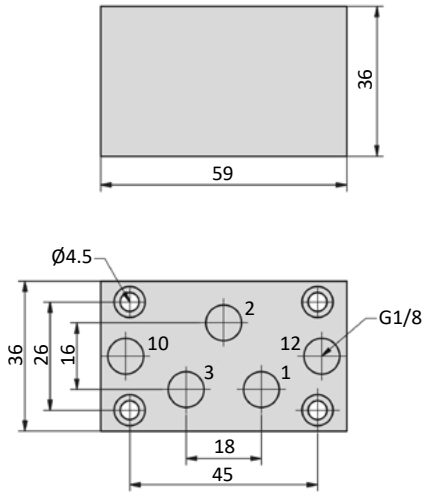
Model-no.:	L-28-311	L-28-320	L-28-511	L-28-520
<b>Operating pressure (bar)</b>	1 ... 10	0 ... 10	0 ... 10	0 ... 10
<b>Pilot pressure (bar)</b>	see diagram	2 ... 10	3 ... 10	2 ... 10
<b>Flow rate (NI/min)</b>	600	600	600	600
<b>Weight (kg)</b>	0.192	0.195	0.254	0.250



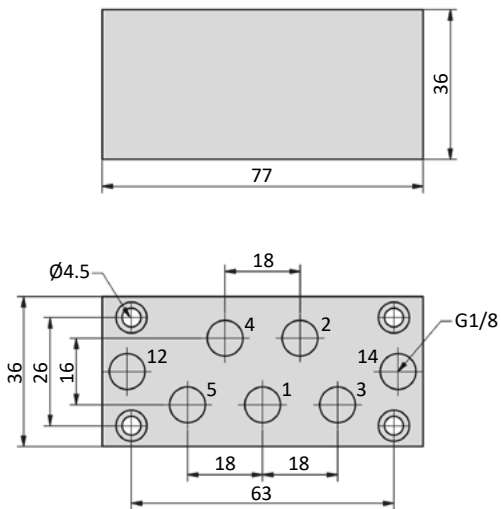
## Series L-28

### Dimensions

#### L-28-3xx



#### L-28-5xx



- 1 = pressure inlet
- 2,4 = outlets
- 3,5 = exhausts
- 10,12,14 = pilot ports